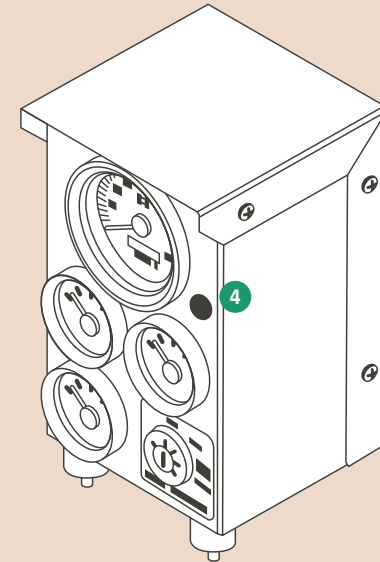
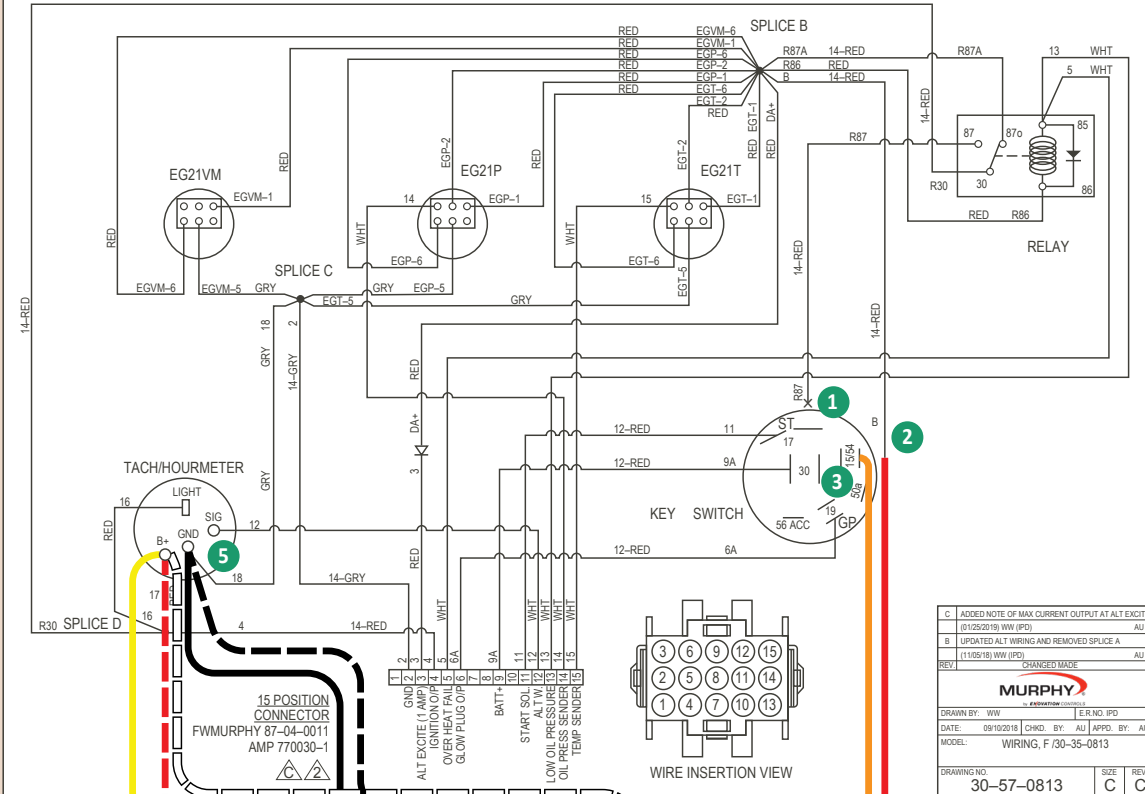


FPT Wiring Diagram



NOTES:

1. ALL WIRES TO BE 18 GA., UNLESS NOTED OTHERWISE.
MAX CURRENT 1 AMP ON ALT EXCITE OUTPUT.



- 1 Disconnect R87
- 2 Disconnect wire from 15/54 and relay red to the wire
- 3 Relay orange to 15/54
- 4 Drill a hole to install push button
- 5 Attach other wires as shown

